

YLD series circular electrical connector



Conform to Chinese military connector standard GJB101A-1997, YLD series is the upgrade from YL11 series, designed as bayonet coupling.

Performance specification

Operating temperature range: -55 °C ~ +125 °C

Operating atmospheric pressure: 4.39 KPa ~ 101.33 KPa

Vibration: 10 Hz ~ 2000 Hz, acceleration 196 m/s²

Relative humidity: 40 ± 2 °C, 90% ~ 95%

Durability: ≥ 1000 cycles

Electrical performance

Operating current and contact resistance

Contact diameter (mm)	Contact resistance (mΩ)	Rated current (A)	Maximum cable diameter (mm)
1.5	3.00	13.0	1.291
2.2	2.50	20.0	1.628
2.5 (2.39)	2.00	25.0	2.053
3.0	1.00	35.0	2.588
3.5	0.75	50.0	3.000
6.0	0.50	90.0	5.200

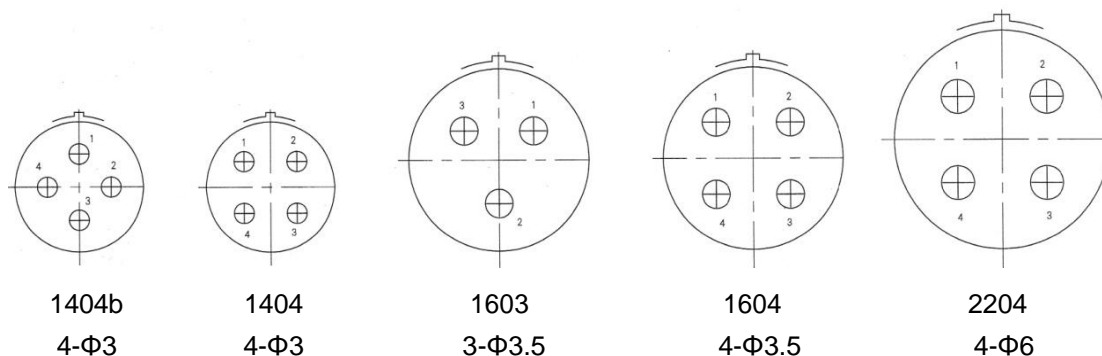
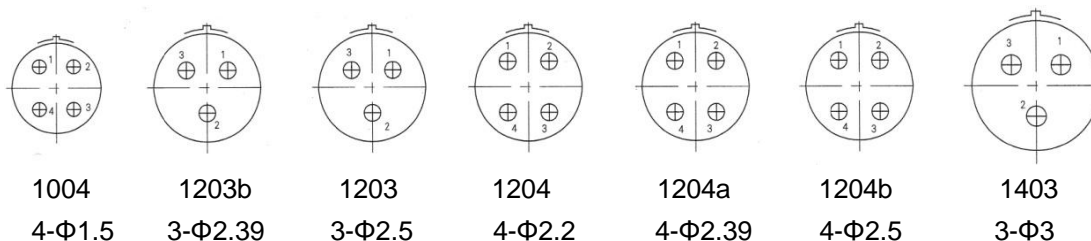
Operating voltage and withstanding voltage

Sea level		Low pressure (v)
Operation voltage (v)	Withstanding voltage (v)	
1000	2300	450

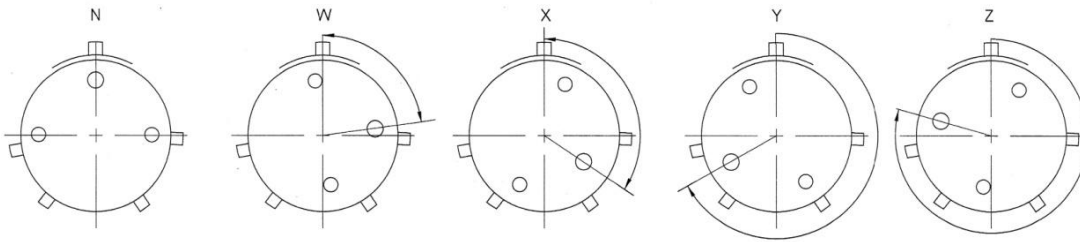
Insulation resistance (MΩ)

Normal	Elevated temperature	Humid
5000	500	100

Contact layout



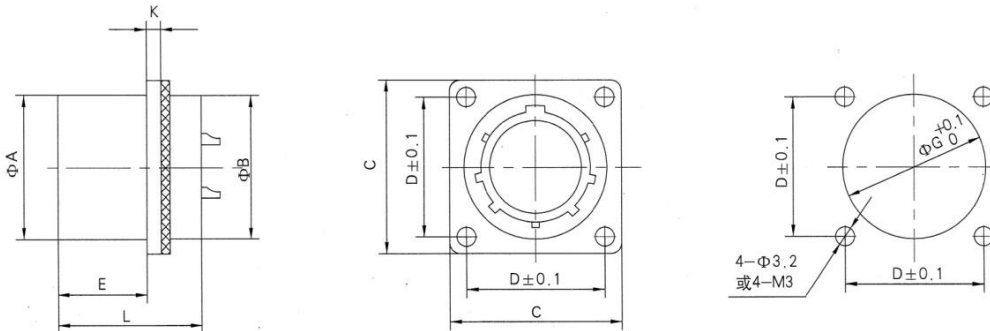
Polarization



Degree				
I	II	III	IV	V
0°	135°	146°	203°	258°

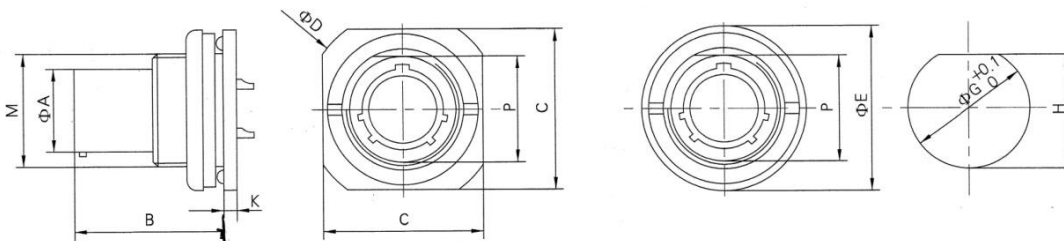
Shell size

Square flange receptacle



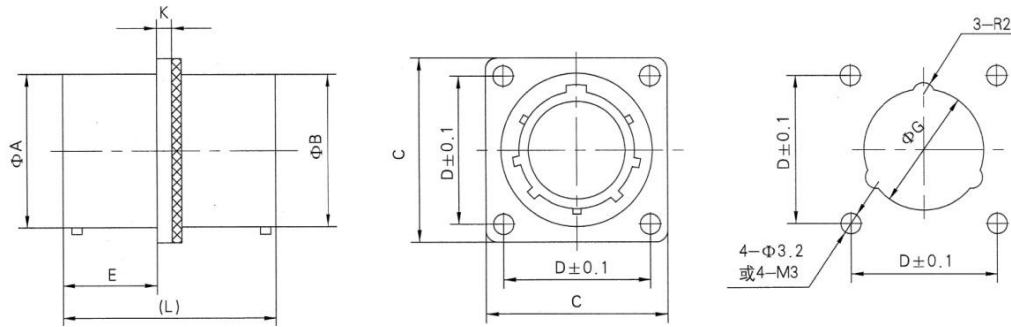
Shell size	Φ A	Φ B	C	D	E	Φ G	K	L (for reference)
10	16	16	24	18	14.5	16.5	1.5	21.0
12	20	20	27	21	14.5	20.5	1.5	23.0
14	23	23	30	23	14.5	23.5	1.5	21.0
16	26	26	32	25	14.5	26.5	1.5	24.0
22	35	35	42	32	14.5	35.5	2.0	26.5

Jam nut receptacle



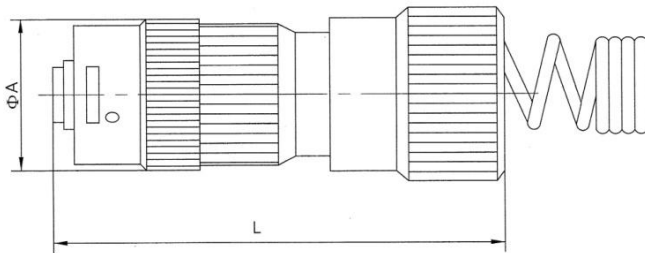
Shell size	Φ A	B	C	Φ D	Φ E	P	K	Φ G	H	Thread M
10	16	18.5	25	30.8	23.5	16.9	2.5	18.2	17.2	M18×1
12	20	20.5	32	39.0	32.0	22.1	2.5	24.2	22.3	M24×1
14	23	18.5	35	40.0	34.3	25.1	2.5	27.2	25.3	M27×1.5
20	26	21.5	38	45.2	38.0	28.1	2.5	30.2	28.3	M30×1
22	35	23.5	50	54.2	50.0	37.2	3.0	39.2	27.4	M39×1.5

Thru bulkhead flange receptacle



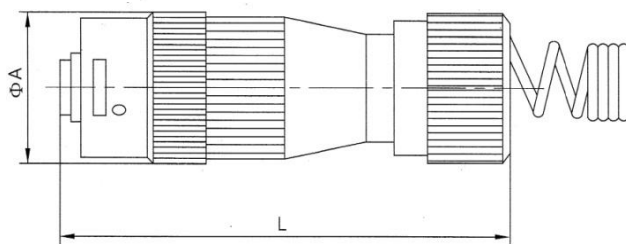
Shell size	Φ A	Φ B	C	D	E	Φ G	K	L (for reference)
10	16	16	24	18	14.5	16.5	2.0	31.8
12	20	20	27	21	14.5	20.5	2.0	34.0
14	23	23	30	23	14.5	23.5	2.0	34.0
16	26	26	32	25	14.5	26.5	2.0	34.0
22	35	35	42	32	14.5	35.5	2.5	36.0

Straight hermetic cable avoid turn plug



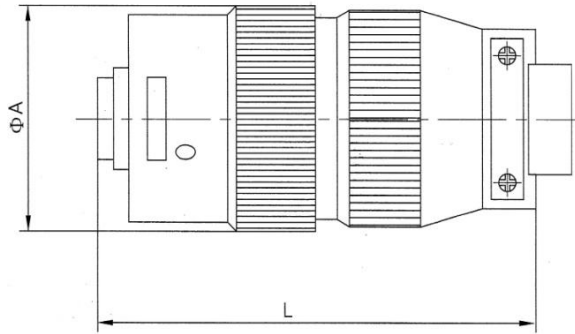
Shell size	Φ A	Cable diameter	L (for reference)
10	24.5	6	51.5
12	26.5	9	52.5
14	31.0	12	57.5
16	32.0	14	59.0
22	42.2	16	68.0

Shielded straight hermetic cable avoid turn plug



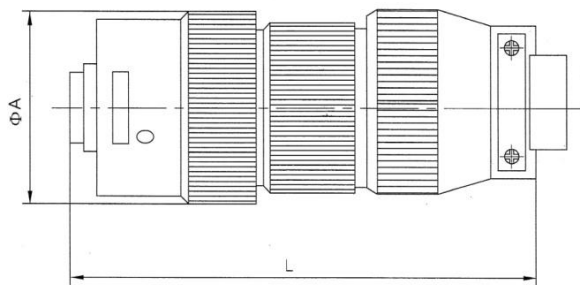
Shell size	ΦA	Cable diameter	L (for reference)
10	24.5	6	58
12	26.5	9	58
14	31.0	12	58
16	32.0	14	59
22	42.2	16	76

Straight cable clamp plug



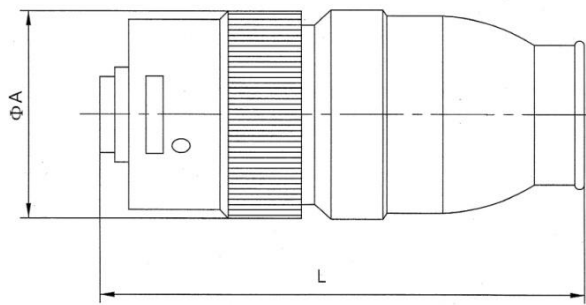
Shell size	ΦA	Cable diameter	L (for reference)
10	24.5	6	40
12	26.5	9	43
14	31.0	12	47
16	32.0	14	48
22	42.2	16	62

Shielded straight cable clamp plug



Shell size	ΦA	Cable diameter	L (for reference)
10	24.5	6	53
12	26.5	9	53
14	31.0	12	53
16	32.0	14	64.5
22	42.2	16	66

Shielded hermetic back with rubber



Shell size	ΦA	Cable diameter	L (for reference)
10	24.5	6	77
12	26.5	9	79
14	31.0	12	84.5
16	32.0	14	85
22	42.2	16	91