

YQ2 series circular electrical connector



Conform to Chinese military connector standard GJB598A, YQ2 series is designed as bayonet coupling.

Part number

	YQ2	S	08	04	Z	K	2	H	Φ
Basic series									
Material of shell									
Omit = Aluminium-alloy									
B = Stainless steel									
S = Copper-alloy									
Shell size									
08, 10, 12, 14, 16, 18, 20, 22, 24									
Number of contact									
03, 04, 08, 21, 32, 41, 55									
Type of connector									
T = Plug									
Z = Receptacle									
Type of contact									
J = Pin									
K = Socket									
Type of connection									
2 = Cable clamp plug									
7 = Long bayonet couple plug									
8 = Back nut plug									
9 = Back rain-proof plug									
10 = Square flange receptacle									
11 = Circular flange receptacle									
14 = Jam nut receptacle									
Finish									
P1 = Electroless nickel plating									
P2 = Bright nickel plating									
P3 = Half bright nickel plating									
E = Stainless steel passivated									
H = Black anodized									
H1 = Conductive black									
L = Olive drab anodized									
L1 = Olive drab matte									
Diameter of cable									

Performance specification

Operating temperature range: $-55\text{ }^{\circ}\text{C} \sim +125\text{ }^{\circ}\text{C}$

Operating atmospheric pressure: $1.33\text{ kPa} \sim 101.33\text{ kPa}$

Vibration: $10\text{ Hz} \sim 2000\text{ Hz}$, acceleration 196 m/s^2

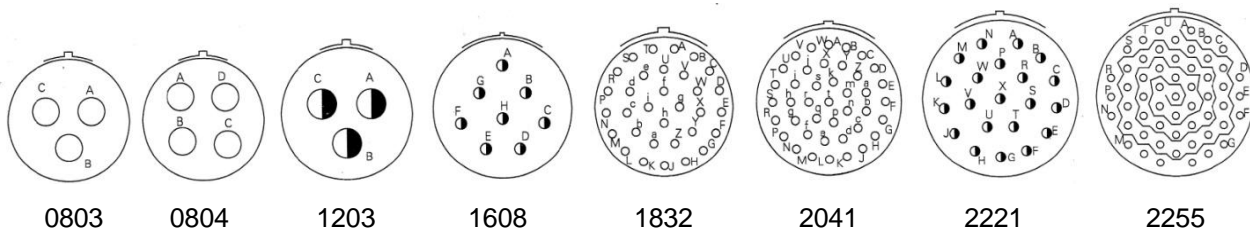
Relative humidity: $40 \pm 2\text{ }^{\circ}\text{C}$, $90\% \sim 95\%$

Durability: $\geq 1000\text{ cycles}$

Contact

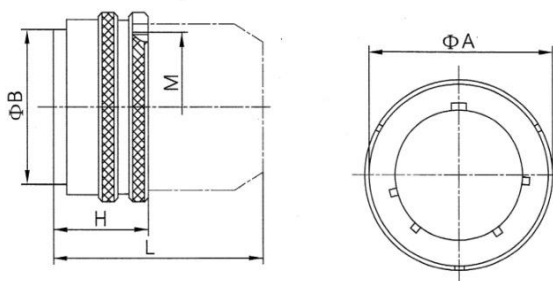
Contact diameter (Φ mm)		1.0	1.6
Current (A)		5	10
Contact resistance (m Ω)	Copper alloy	≤ 5	≤ 3
	Iron-alloy	≤ 15	≤ 10

Contact layout



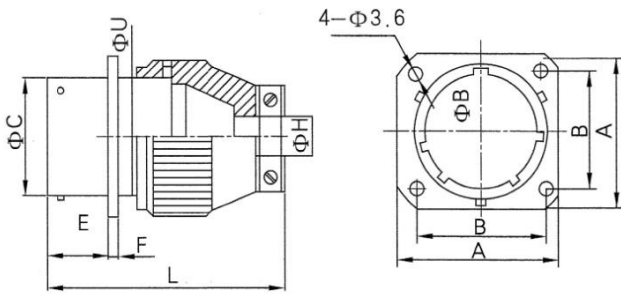
Shell size

Plug



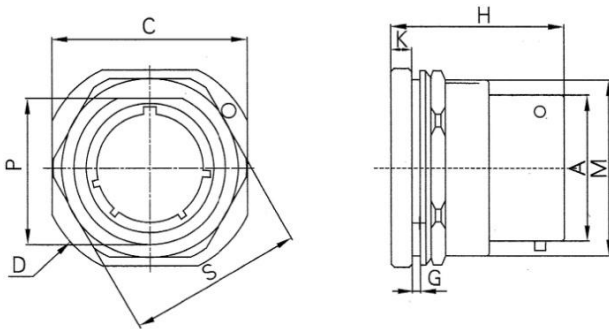
Shell No.	Φ A	Φ B	M	H	L
08	16.8	9.0	1/2-28	17.6	35.0
12	25.6	15.1	11/16-24	21.0	52.5
16	31.7	21.5	15/16-20	21.0	175.0
18	34.4	24.0	11/16-18	18.0	27.2
20	37.7	27.1	13/16-18	19.5	31.6

Square flange receptacle



Shell No.	ΦC	ΦH	ΦU	L	$L1$	F	E	A	B
08	12.0	4-7	12.80	36.5	21.5	1.5	10.95	20.60	15.09
10	15.0	4-7	16.01	36.5	21.0	1.5	10.95	23.80	18.30
12	19.1	5-10	19.10	38.5	21.5	2.0	10.95	26.20	20.62
14	22.2	6-14	12.30	43.0	21.5	2.0	10.95	30.00	23.00
16	25.4	6-16	25.54	43.0	21.5	2.0	10.95	31.00	24.60
18	28.6	6-17.5	28.60	44.5	21.5	2.0	10.95	33.30	27.00
20	31.8	6-20	31.50	49.0	26.5	2.6	12.50	36.50	29.36
22	34.9	6-24	35.00	49.0	26.5	2.6	12.50	40.00	32.00
24	38.1	6-27	38.00	53.0	26.5	2.6	12.50	42.90	34.93

Jam nut receptacle



Shell No.	G		K	H	A	S	P	C	D	M
	Min	Max								
08	1.6	3.2	3.2	21.0	12.00	19.10	13.20	23.80	27.25	9/16-20
10	1.6	3.2	2.5	21.0	15.00	22.20	16.50	27.00	30.40	11/16-24
12	1.6	3.2	3.2	21.0	19.10	27.00	21.20	31.80	35.20	7/8-20
14	1.6	3.2	3.2	21.0	22.20	32.00	24.20	34.90	38.40	1-20
16	1.6	3.2	3.2	21.0	25.40	33.30	27.35	38.10	41.50	1 ¹ / ₉ -20
18	1.6	3.2	3.2	21.0	28.60	36.50	30.35	41.30	44.70	1 ¹ / ₄ -18
20	1.6	6.4	4.0	26.5	31.78	39.70	33.70	46.00	49.40	1 ³ / ₈ -18
22	1.6	6.4	4.0	26.5	34.95	44.00	36.60	49.20	52.60	1 ¹ / ₂ -18
24	1.6	6.4	4.0	26.5	38.10	46.00	40.05	52.50	55.80	1 ⁵ / ₈ -18