

Y23 series circular electrical connector



Conform to Chinese military connector standard GJB599A and America military connector standard MIL-DTL-38999 series IV. It can be well mated with corresponding part of MIL-DTL-38999 IV from other manufacturer.

Part number

	Y23	P	II	13	-10	Z	J	10
Basic series								
Type								
P = Solder and shielding								
E = Crimp and shielding								
Orientation								
I, II, III								
Omit = I								
Shell No.								
13, 25, 29								
Number of contact								
10, 61, 84, 90								
Type of connector								
T = Plug								
Z = Receptacle								
Type of contact								
J = Pin								
K = Socket								
Type of receptacle								
10 = Square flange receptacle								
11 = Circular flange receptacle								
14 = Jam nut receptacle								

Performance specification

Operating temperature range: -65 °C ~ +125 °C

Shock: Max acceleration 294 m/s²

Relative humidity: 92 ~ 98% at 40 ± °C

Endurance: ≥ 500 cycles

Contact resistance and current rating:

Diameter (mm)	Φ 1.0	Φ 1.5	Φ 3.5
Current (A)	5	10	35
Resistance (mΩ)	≤ 5	≤ 3	≤ 2

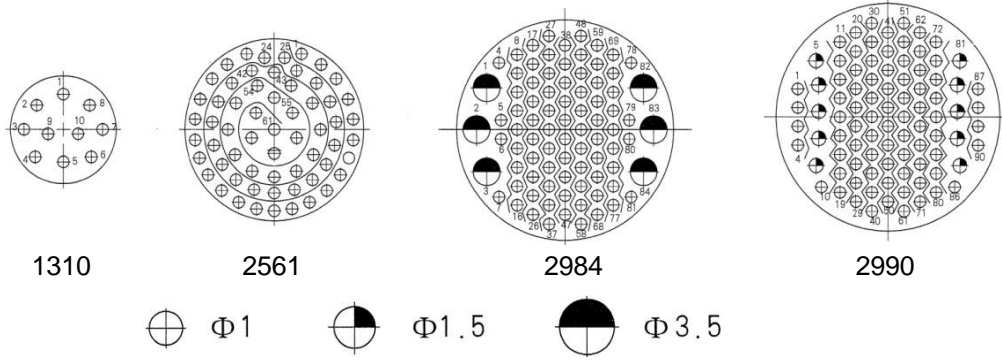
Insulation resistance:

Sea level	High humidity	High temperature	Under rain
≥ 3000MΩ	≥ 20MΩ	≥ 500MΩ	≥ 20MΩ

Withstanding voltage:

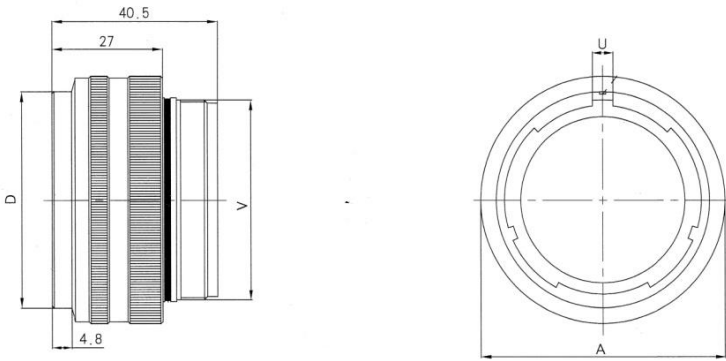
Sea level	21000m	Humidity and heat
1500 V	250 V	500 V

Contact layout



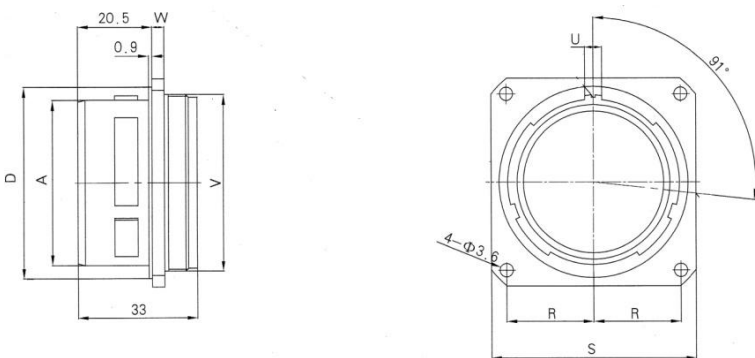
Shell size

Plug



Shell No.	Φ A	Φ D	Thread V	U
13	31.1	23	M18×1	2.0 ~ 3.0
25	49.5	42	M37×1	3.5 ~ 4.5
29	59.5	52	M48×1	3.8 ~ 5.0

Receptacle



Shell No.	Φ D	Φ A	R	S	U	V	W
13	23.3	16	11.5	29.0	1.7 ~ 2.7	M18×1	2.6
25	42.3	35	19.0	46.6	3.2 ~ 4.2	M37×1	3.0
29	52.0	45	24.0	56.5	3.6 ~ 4.7	M48×1	3.4