

Y25 series circular electrical connector



Conform to Chinese military connector standard Q/Ag1.087.1-2002, Y25 series is designed as thread coupling, rain-proof, dust-proof and shielding shell.

Part number

	Y25	X	II	37	-04	Z	J	11	d
Basic series									
Type	<p>X = Hermetic by reperfusion of sealant, may omit H = Hermetic by sintered glass</p>								
Orientation	<p>I, II, III, IV, V, VI Omit = I</p>								
Shell size	<p>07, 12, 19, 27, 37, 48, 61</p>								
Number of contact	<p>03, 04, 06, 10, 12, 14, 16, 19, 22, 24, 27, 37, 41, 48, 61</p>								
Type of connector	<p>T = Plug Z = Receptacle</p>								
Type of contact	<p>J = Pin K = Socket</p>								
Type of receptacle	<p>10 = Square flange receptacle 11 = Circular flange receptacle 14 = Jam nut receptacle</p>								
Material of shell	<p>d = Aluminum-alloy Omit = Copper-alloy</p>								

Performance specification

Operating temperature range: -55 °C ~ +140 °C

Shock: Max acceleration 500 m/s²

Relative humidity: 90 ~ 98% at 40 ± °C

Endurance: ≥ 1000 cycles

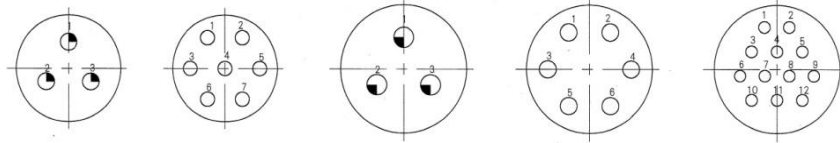
Contact resistance and current rating:

Diameter (mm)	Φ 1.0	Φ 1.5	Φ 2.5	Φ 3.5	Φ 5.0	Φ 7.0
Current (A)	7.5	13.0	23.0	46.0	63.0	100.0
Resistance (mΩ)	≤ 5	≤ 3	≤ 2	≤ 1	≤ 1	≤ 1

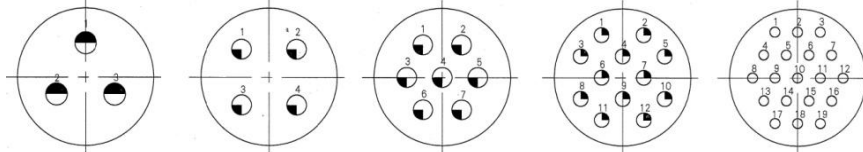
Insulation resistance:

Sea level	High humidity	High temperature	Under water
≥ 5000MΩ	≥ 50MΩ	≥ 500MΩ	≥ 50MΩ

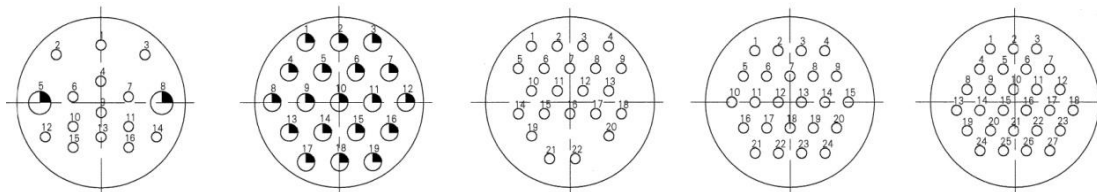
Contact layout



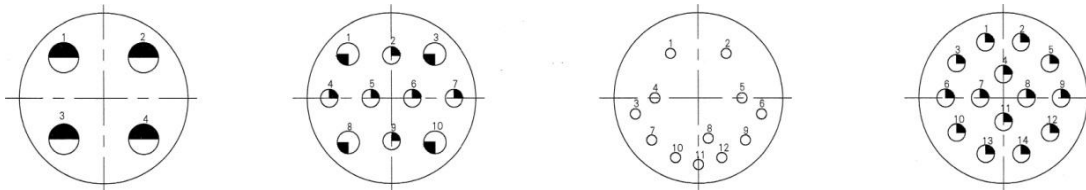
0703 0707 1203 1206 1212



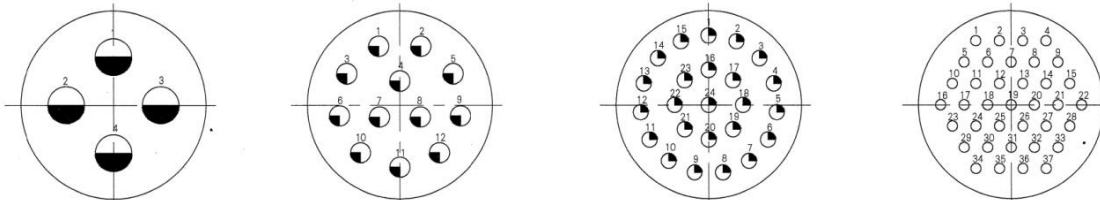
1903 1904 1907 1912 1919



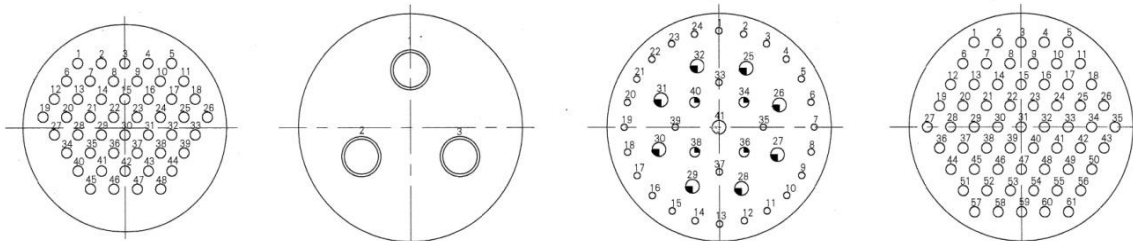
2716 2719 2722 2724 2727



2704 2710 2712 2714



3704 3712 3724 3737

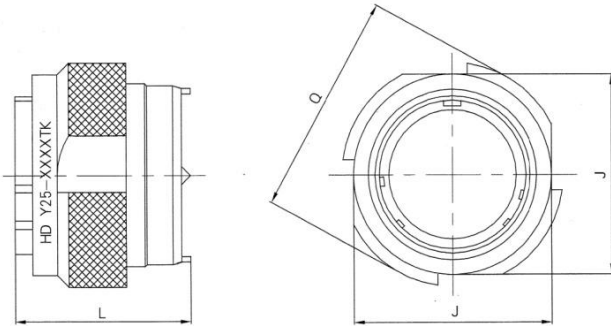


4848 6103 6141 6161



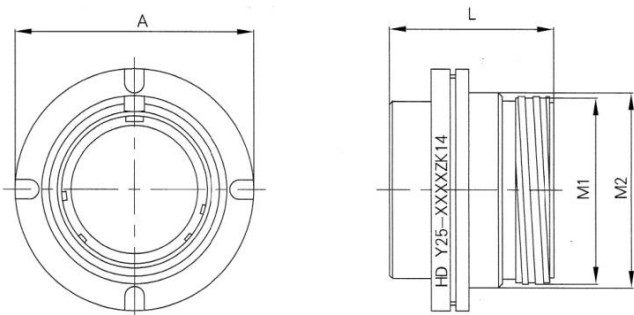
Shell size

Plug



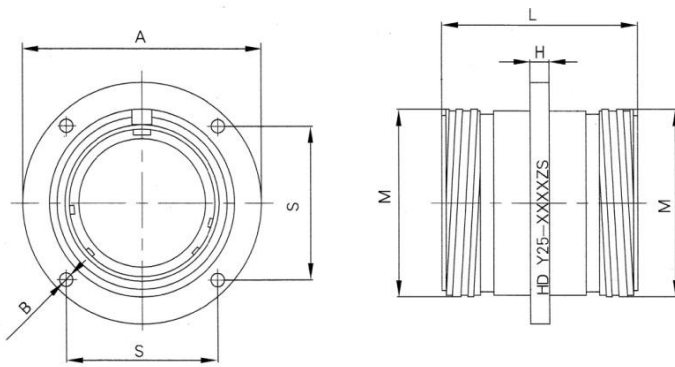
Shell size	L	J	Φ D
07	41.5	29.0	32
12	41.5	33.0	36
19	41.5	37.0	40
27	41.5	42.0	46
37	41.5	45.6	50
48	41.5	49.5	54
61	41.5	53.0	57

Jam nut receptacle



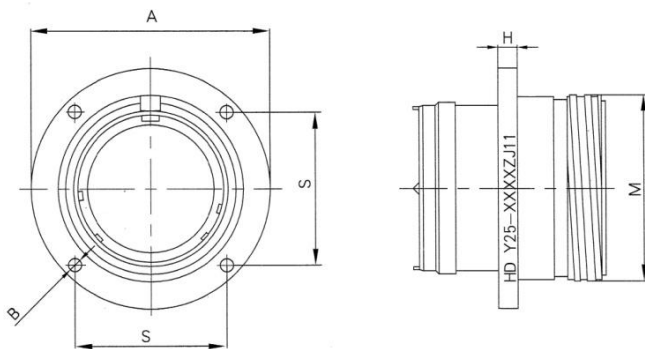
Shell size	L	Thread M1	Thread M2	Φ A
12	43.5	T _r 28*3	M30*1.0	45
19	43.5	T _r 32*3	M36*1.5	50
27	43.5	T _r 36*3	M40*1.5	54
37	43.5	T _r 40*3	M45*1.5	58
48	43.5	T _r 44*3	M48*1.5	62

Thru bulkhead receptacle



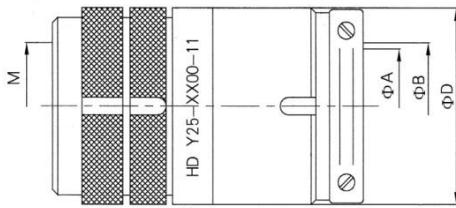
Shell size	L	Thread M	Φ A	Φ B	S	H
07	59	T _r 24*3	38	3.3 ±0.10	22 ±0.10	4
12	59	T _r 28*3	44	3.3 ±0.10	27 ±0.10	4
19	59	T _r 32*3	46	3.3 ±0.10	28 ±0.10	4
27	59	T _r 36*3	49	3.3 ±0.10	30 ±0.10	5
37	59	T _r 40*3	53	3.3 ±0.10	33 ±0.10	5
48	59	T _r 44*3	56	3.3 ±0.10	35 ±0.10	5
61	59	T _r 46*3	59	3.3 ±0.10	37 ±0.10	5

Circular flange receptacle



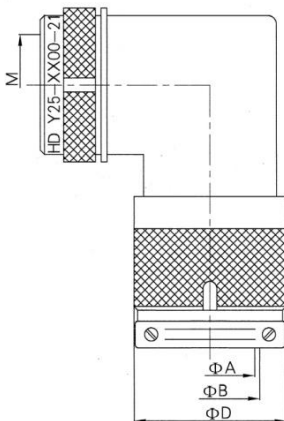
Shell size	L	Thread M	Φ A	Φ B	S	H
07	51	T _r 24*3	38	3.3 ±0.10	22 ±0.10	4
12	51	T _r 28*3	44	3.3 ±0.10	27 ±0.10	4
19	51	T _r 32*3	46	3.3 ±0.10	28 ±0.10	4
27	51	T _r 36*3	49	3.3 ±0.10	30 ±0.10	4
37	51	T _r 40*3	53	3.3 ±0.10	33 ±0.10	5
48	51	T _r 44*3	56	3.3 ±0.10	35 ±0.10	5
61	51	T _r 46*3	59	3.3 ±0.10	37 ±0.10	5

Straight shielded back shell



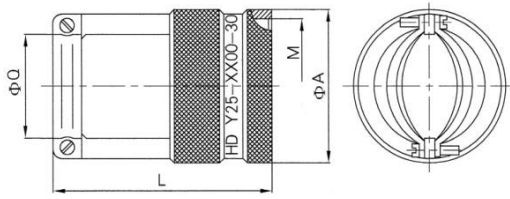
Shell size	Thread M	Φ A			Φ B			Φ D	L
		No.1	No.2	No.3	No.1	No.2	No.3		
07	M20*1.0	6	10	14	7	11	15	28	80
12	M24*1.0	11	15	19	11.5	15	19	32	80
19	M28*1.0	15	18	23	16	20	24	37	80
27	M33*1.5	19	23	27	20	24	28	42	85
37	M36*1.5	22	26	30	23	27	31	46	85
48	M40*1.5	25	29	33	26	30	34	49	85
61	M45*1.5	30	34	38	31	35	39	54	90

90° Elbow shielded back shell



Shell size	Thread M	Φ A			Φ B			Φ D
		No.1	No.2	No.3	No.1	No.2	No.3	
07	M20*1.0	6	10	14	7	11	15	28
12	M24*1.0	11	15	19	11.5	15	19	32
19	M28*1.0	15	18	23	16	20	24	37
27	M33*1.5	19	23	27	20	24	28	42
37	M36*1.5	22	26	30	23	27	31	46
48	M40*1.5	25	29	33	26	30	34	49
61	M45*1.5	30	34	38	31	35	39	54

Cable clamp back shell



Shell size	ΦD	M	ΦA	L
37	22	M36*1.5	38.5	45
61	38	M45*1.5	50.0	45

Dust cap

