

## Y50PD series circular electrical connector



Conform to Chinese military connector standard GJB101A-97, Y50PD series is the upgrade from Y50EX series, designed as bayonet coupling, solder contact, big current.

## Part number

	Y50PD	16	04	Z	K	10	III	H	S
Basic series									
Shell size									
16, 18, 20, 22, 24, 28, 32									
Number of contact									
03, 04									
Type of connector									
T = Plug									
Z = Receptacle									
Type of contact									
J = Pin									
K = Socket									
SJ = Thru bulkhead Pin									
SK = Thru bulkhead Socket									
Type of plug and receptacle									
Type of plug (view below datasheet I)									
Type of receptacle (view below datasheet II)									
Orientation									
I, II, III, IV, V									
Omit = III									
Finish									
P1 = Electroless nickel plating									
P2 = Bright nickel plating									
P3 = Half bright nickel plating									
H = Black anodized									
H1 = Electric black									
L = Olive drab anodized									
L1 = Olive drab matte									
L2 = Olive drab cadmium plating									
L3 = White anodized									
Material of shell									
Omit = Aluminium-alloy									
B = Stainless steel passivated									
S = Copper-alloy									

### Datasheet I

Sign	Plug
1	Earthing jam
2	Cable connecting
2M	Cable sealed
2P	Shielded cable
3	Sealed
4	Avoid-wave and tensile
5	90° elbow and protect cable
6	Line spring and protect cable
5-6	90° elbow line spring
8	Protect cable
8-2	Sealed tensile

### Datasheet II

Sign	Receptacle
10	Square flange (front)
20	Square flange (back)
11	Circular flange
14	Jam nut
10-2	Square flange with cable clamp
11-2	Circular flange with cable clamp
24	Circular jam nut

## Performance specification

Operating temperature range: -55 °C~ +150 °C

Corrosion resistance: Withstand 48 hours salt spray (5% NaCl fog)

Operating atmospheric pressure: 4.39 KPa ~ 101.33 KPa

Vibration: 10 Hz ~ 2000 Hz, acceleration 196 m/s<sup>2</sup>

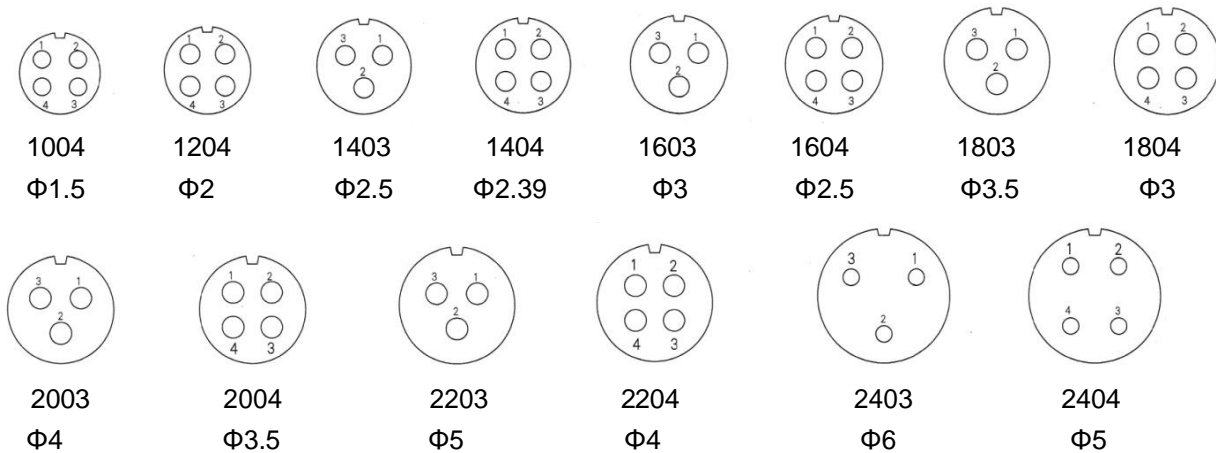
Relative humidity: 40 ± 2 °C, 90% ~ 95%

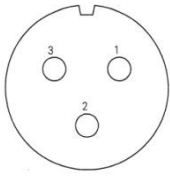
Durability: ≥ 500 cycles

## Contact

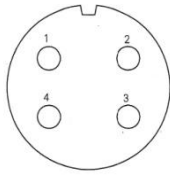
Diameter for contact (Φ)	1.50	2.39	2.50	3.00	3.50	4.00	5.00	6.00	7.00	8.00	9.00
Current (A)	15	20	25	35	50	50	60	75	100	100	150
Resistance (mΩ)	≤ 3	≤ 3	≤ 3	≤ 2	≤ 1	≤ 1	≤ 1	≤ 1	≤ 1	≤ 1	≤ 1

## Contact layout

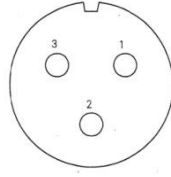




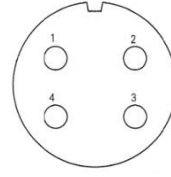
2803  
Φ7



2804  
Φ6

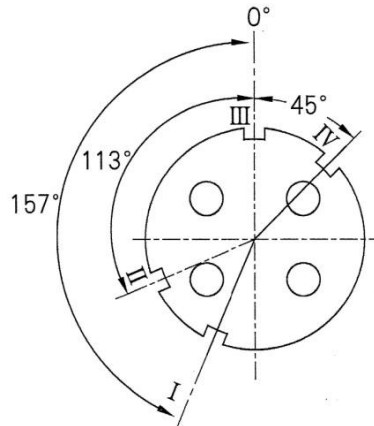
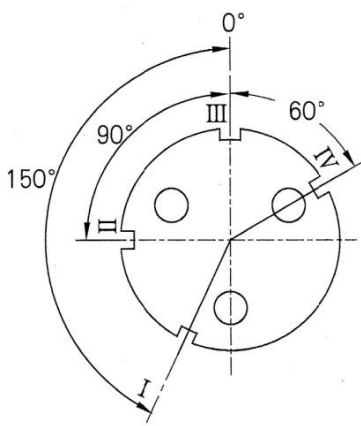


3203  
Φ7



3204  
Φ9

## Orientation



## Shell size

The size of this series is same as Y50X series.